

Multicomm

Intelligent Junction Box

Versatile sub-sea connection for SeaKing and SeaPrince systems

The flexibility of the Multicomm provides users with a package that can interface Trittech SeaKing and SeaPrince sonars in a wide variety of different configurations. This allows for full integration of sensors for applications such as configuring an ROV for survey work.



The Multicomm can be linked to a number of SeaKing sensors and communication can then be made to the Surface Control Unit (SCU) using the RS232 protocol.

As well as providing RS232 output the Multicomm can act as a transparent interface allowing communication using Trittech's ARCNET protocol.

The Multicomm can also accept inputs from third party sensors, such as a gyro, which would be connected to the Multicomm AUX port.

Benefits

- Compatible with SeaKing and SeaPrince
- ARCNET or RS232 communication
- Flexible design
- Field configurable

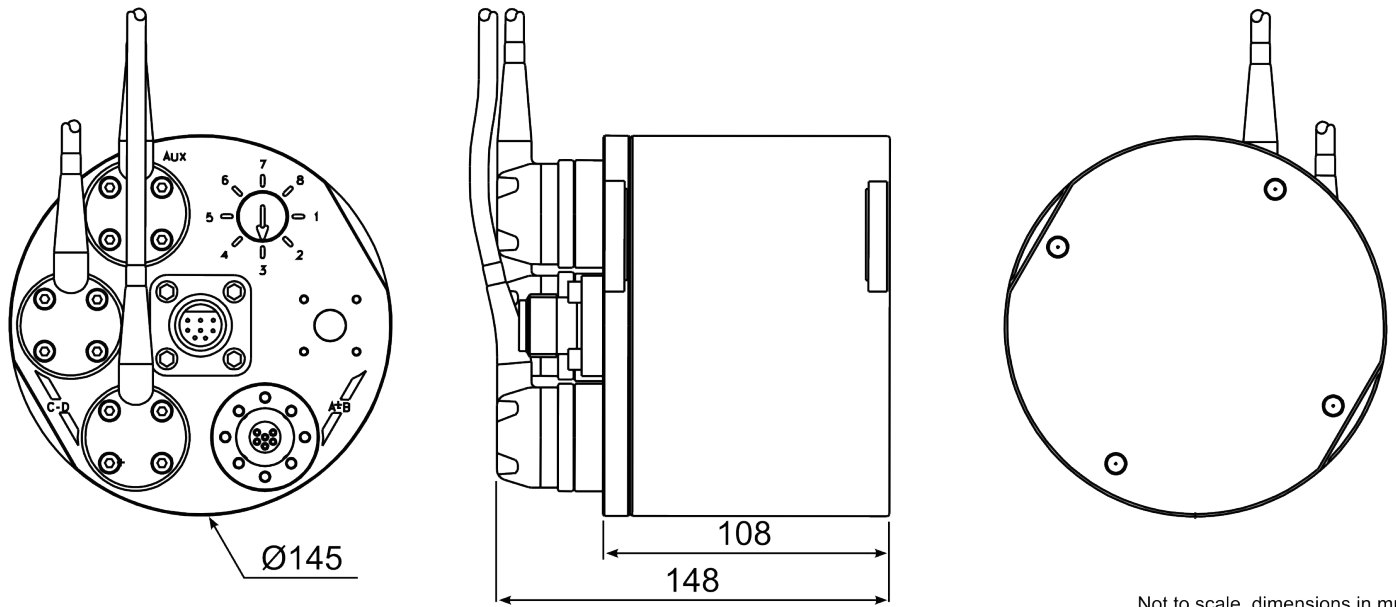
Features

- 4000m depth rating
- Supplied with interconnect cables
- AUX port for third party sensors

Applications

- ROV/AUV construction
- System integration
- Survey suite integration

Specification



Not to scale, dimensions in mm.

Electrical and Communication	
Sensor connectors	4 x Trittech 6 pin
Input voltage	24 – 30V DC
Current drain	2A with 4 sensors (typical)
Interface cables	4 x 6m Trittech cables
Main connector	8 pin mini Burton (5506-1508)
Communication protocols	ARCNET, RS232
Compatibility	Compatible with Trittech sensor suites from SCU-3 onwards
Physical	
Weight in air	3.8kg
Weight in water	1.9kg
Depth rating	4000m
Materials	Anodised aluminium
Operating temperature	-10 to 35°C
Storage temperature	-20 to 50°C

Specifications subject to change according to a policy of continual development.

Document: 0374-SOM-00011, Issue: 02